

How to assemble You are Galileo! Telescope

~10\$ Telescope Version~

You are Galileo!
Let's see the cosmos with Galileo scope

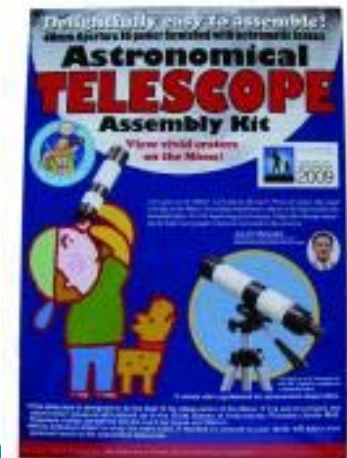


“You are Galileo!” Project
<http://kimigali.jp/>

You are Galileo! Telescope



- Objective Lenses:
 - Aperture 40mm
 - Focal length 273mm
 - Lense type Optical glass (Achromat)
- Eye Piece: Composed of 3 plastic lenses.
 - $f=18.2\text{mm}$.
- Magnification: 15-power
- Field of View: 2.2 degrees
- **Hoshi-no-Techou Inc., Japan**
 - <http://business3.plala.or.jp/starbook>



Open the box and make sure the parts are all inside.



Main tube, Eye-piece tube

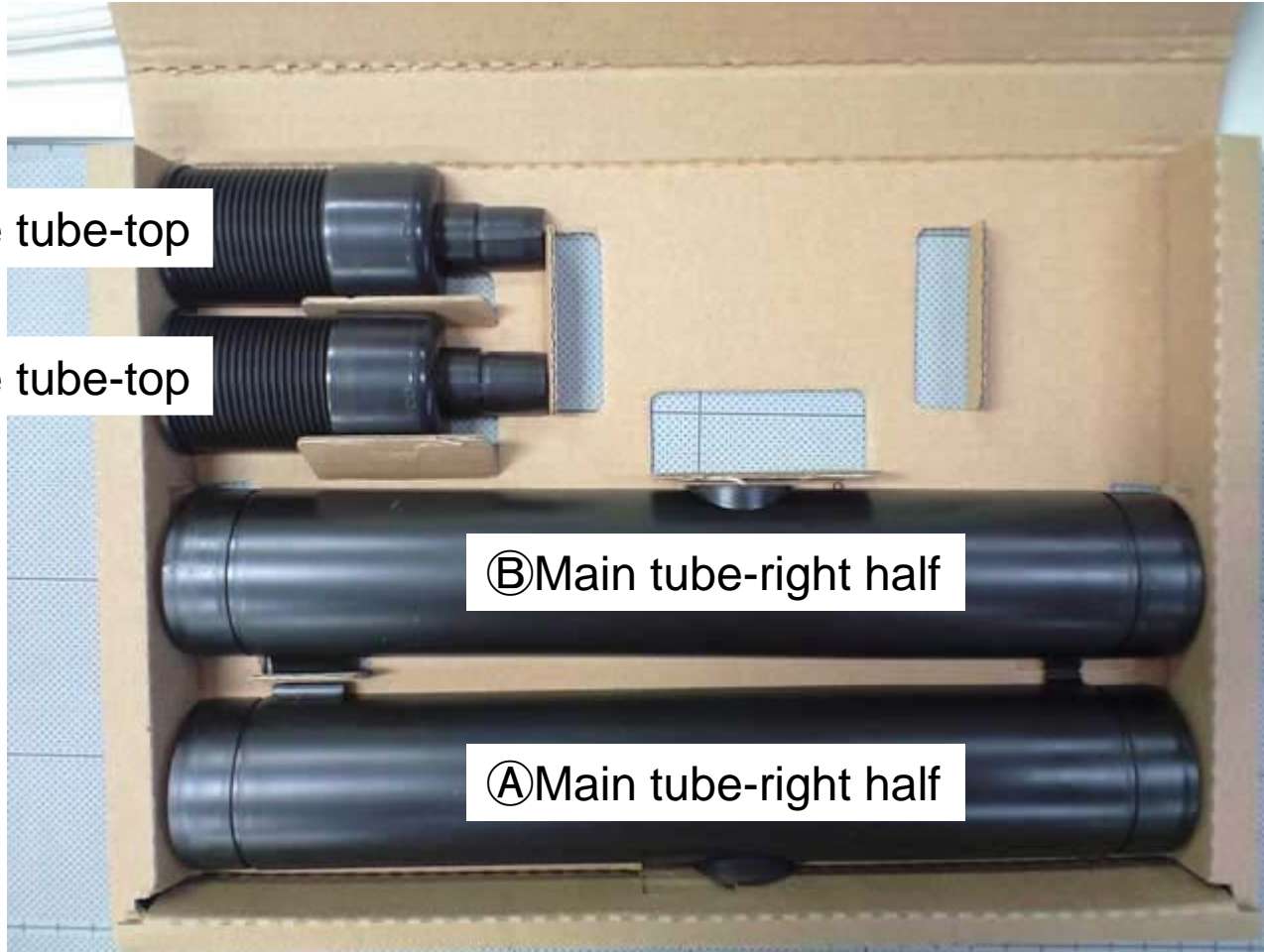


Ⓔ Eye-piece tube-top

Ⓕ Eye-piece tube-top

Ⓑ Main tube-right half

Ⓐ Main tube-right half



Objective lens, Eyepiece-lens 1,2,3



Not available now



Objective lens

Eyepiece-lens 1,2,3

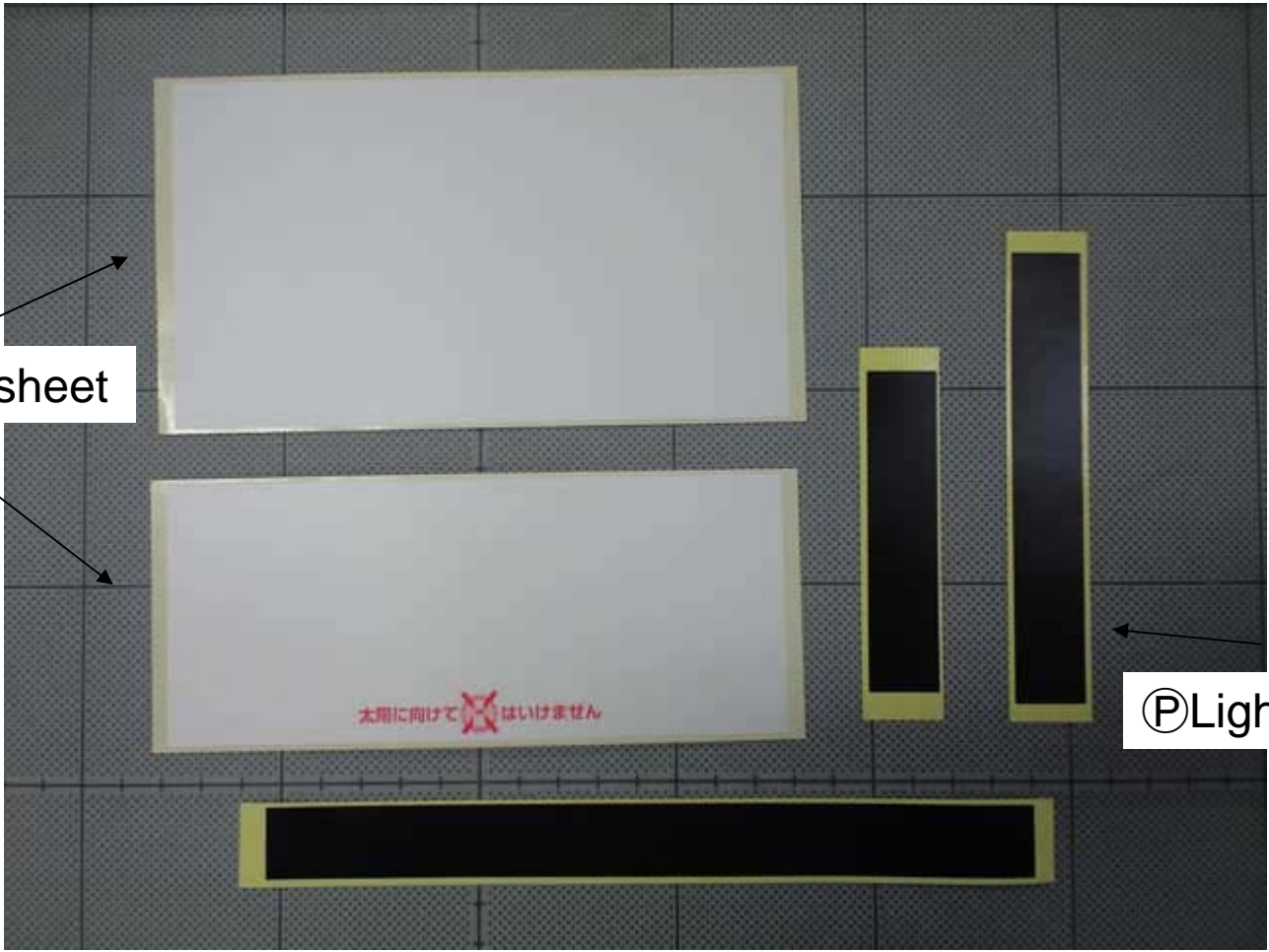
Main-tube holder, and Eye-contact piece, etc...



Adhesive sheet, Light-shield tape



Ⓒ Adhesive sheet



Ⓓ Light-shield tape

Assembly Notes



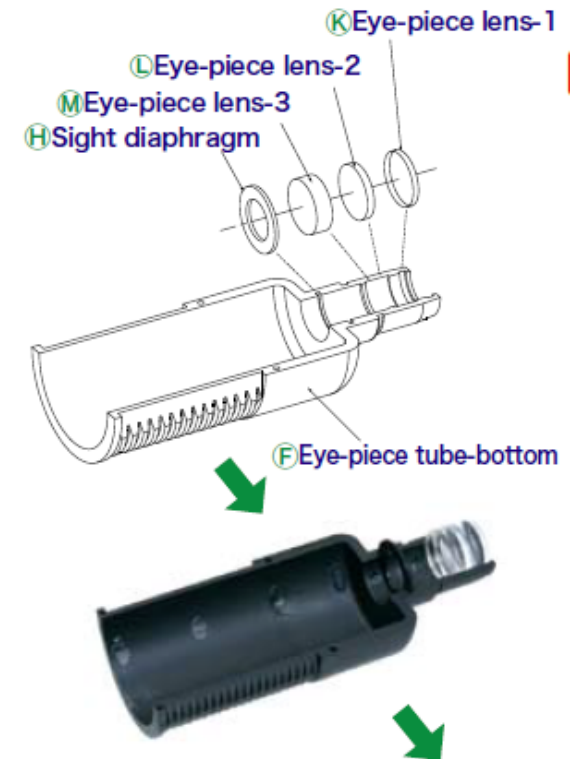
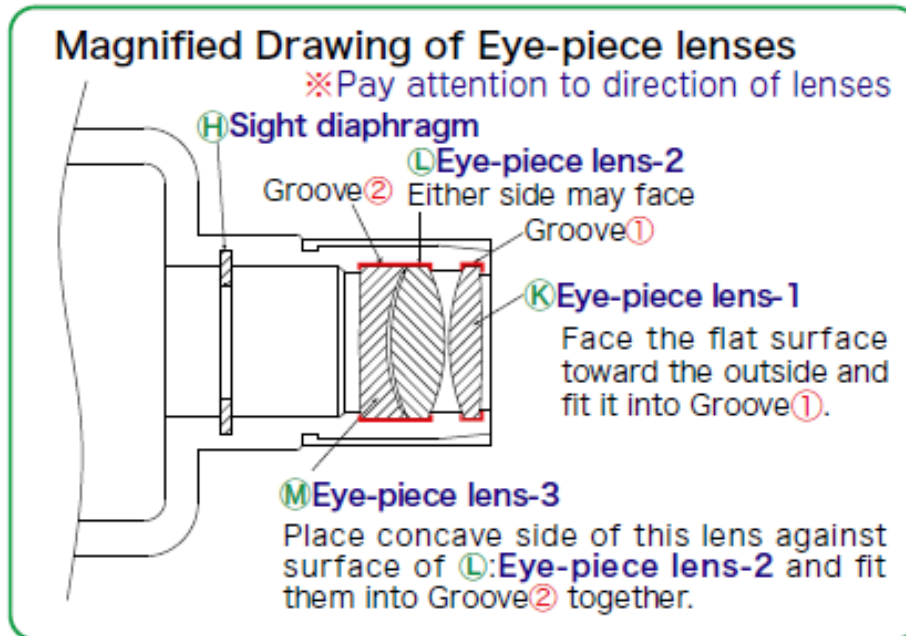
- When touching the lens, please do not leave on the surface scratches and fingerprints.
- There are many small parts, so please do not lose them.
- When inserting the lenses, please pay attention to the right direction.
- **Warning!**
 - **Never direct the telescope at the Sun ! You will be in danger of becoming blind. Never try peering at the Sun through a lens either.**

How to assemble 1

make a portion of the eyepiece tube



- Fit **(K)**:Eye-piece lens-1, **(L)**:Eye-piece lens-2, **(M)**:Eye-piece lens-3 and **(H)**:Sight diaphragm into **(F)**:Eye-piece tube-bottom. While doing so, please note the directions concerning **(K)**:Eye-piece lens-1 and **(M)**:Eye-piece lens-3, so that they are assembled in accordance with the magnified drawing shown below.



How to assemble 2

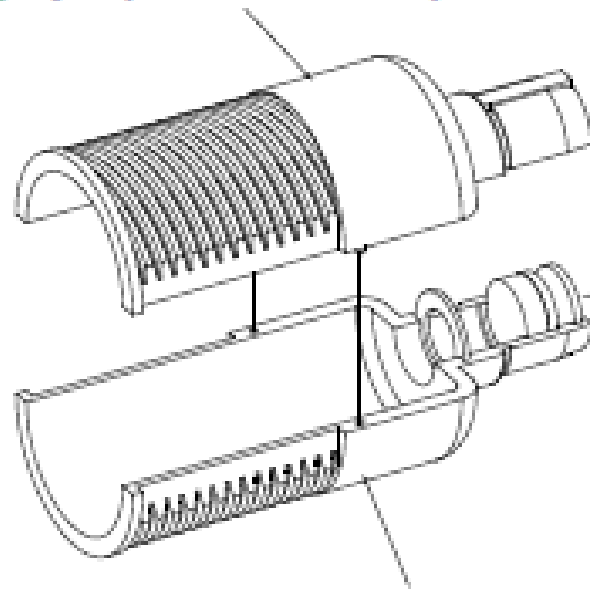
make a portion of the eyepiece tube



- Fit ⑤:Eye-piece tube-top with ⑥:Eye-piece tube bottom, by jointing protrusions to holes respectively.
- Then, fit ⑦:Eye-contact piece secured onto Eye-lens holder. Now, Eye-piece tube module has been assembled.

⑤ Eye-piece tube-top

⑦ Eye-contact piece



⑥ Eye-piece tube-bottom

Push ⑦: Eye-contact piece sliding over Eye-piece tube to fit in its full depth, with grooves aligned with bumps.

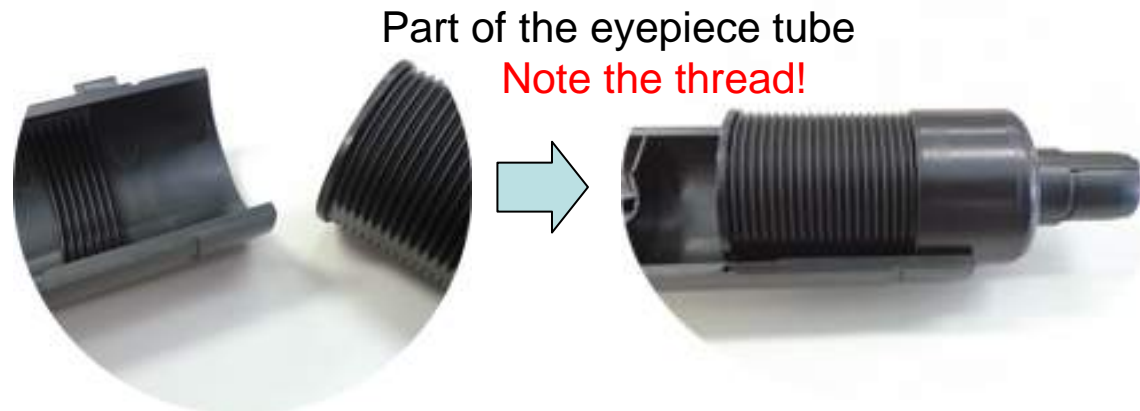
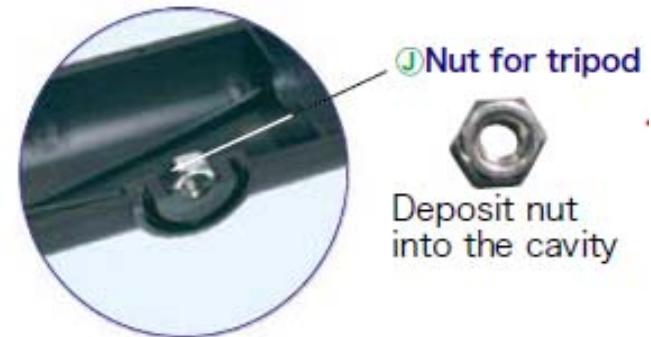
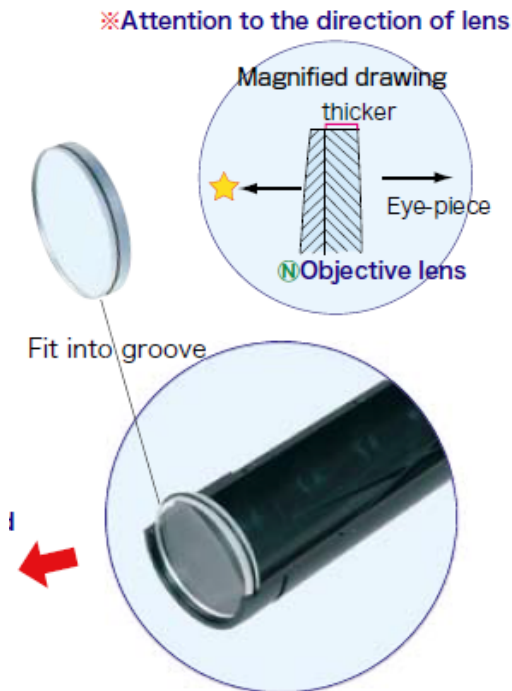




How to assemble 3 : Main tube

- Fit ①: Objective lens into ②: Main tube-left half, and then, mount the previously assembled Eyepiece tube module letting its screw fit into the casing. Further, place ③: Nut for tripod underneath the Main tube body.

⚠ Attention to the direction of lens





How to assemble 4-1: Main tube

- Unite ①:Main tube-left half and ②:Main tube-right half into one piece, having protrusions fit into hollow holes respectively. Cover both ends of the Main tube firmly with ③:Main tube holder-1 and 2.





How to assemble 4-2:Check

- When completed up to this point, please test the telescope's ability to view distant objects. Adjust eyepiece tube by rotating it, until an inverted image of the object comes into focus.



Inverted image in focus



"∞"mark

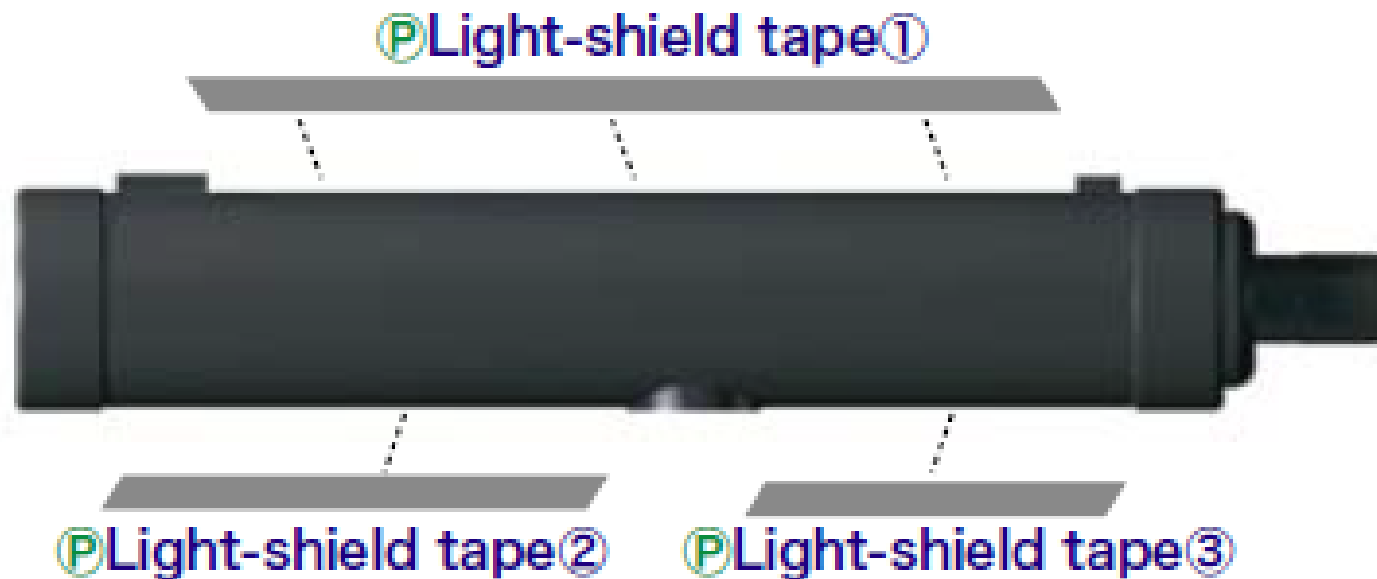
Finally, fit Nut lock into the groove around





How to assemble 5-1: Completion

- As a last step, stick ①:Light-shield tape-① over the joint-seam
- line at the top and ② and ③ over the joint-seam line at the bottom, both front and back



How to assemble 5-2: Completion



- The finishing touch, the seal permanently attached with glue.
- Cheers for good work. That's it!
- Write your name or draw some picture on the adhesive sheet, Let's make just your "My Galileo telescope".

